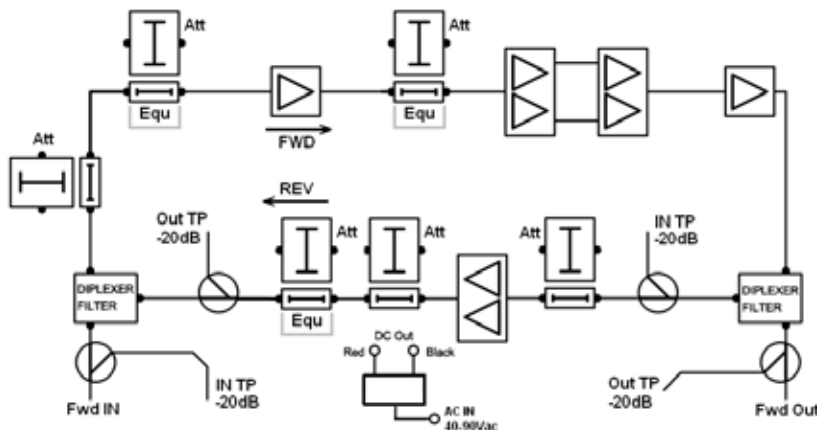


Lindsay's multiple dwelling unit broadband distribution amplifier is a full featured two-way 1GHz indoor station capable of 50dBmV output with superior distortion characteristics and low noise.

Model LHA41RM is a *TOUGH* indoor MDU amplifier specifically designed for broadband distribution systems in apartment buildings, hotels, schools, hospitals and similar facilities having specific high RF amplification requirements. Designed to mount directly to a wall with increased heat dissipation properties and low power consumption this amplifier runs cool and reduces operational costs. Flexible two-way diplex filter options and the latest GaAs - Fet Push Pull technology provide superior distortion performance and low noise to 1GHz.



BLOCK DIAGRAM



FEATURES

- Aluminum die-cast, wall-mountable housing
- Designed for superior heat dissipation
- Rated ingress protection (IP)54, against dust and water
- Temperature cycled, -10°C to +55°C (+14°F to +131°F)
- GaAs-Fet push-pull for high output, low distortions
- 41 dB gain forward, 18 dB gain reverse
- JXP type equalizer and attenuators for complete control
- Forward and reverse, -20 dB test points
- Surge protection of 6kV on all ports
- Designed for -100 dB EMI isolation
- Self-powered, available in 117 and 230 voltage AC
- Diplex Filters available in 42/54, 65/85 and 85/105MHz

SPECIFICATIONS - LHA41RM

Parameter	Notes	Forward	Reverse	Units
Bandwidth		54-1000MHz	5-42MHz	MHz
Technology		GaAs	GaAs	
Min Full Gain		41	19	dB
Flatness		±0.75	±1	"
Return Loss IN/OUT		-16	-16	"
Test Points		In & Out: -20dB	In & Out: -20dB	"
Gain Control	JXP plug-in	In	Out: 20dB	"
Slope Control	JXP plug-in	In/Mid	Out	0 to 20dB 2dB Steps
Forward Distortions	40/50 dBmV (54/1000 MHz) output level, 79 NSTC channels, digital at -6 dB after 550 MHz			
CTB	on ch 78	-70		dBc
CSO	on ch 78	-72		"
Xmod	on ch 2	-73		"
Forward Distortion	36/46 dBmV (54/1000 MHz) output level, 79 NTSC channels, digital at -6 dB after 550 MHz			
CTB	on ch 78	-70	-75	dBc
CSO	on ch 78	-74		"
Xmod	on ch 2	-80		"
Reverse Distortions	52 dBmV flat output, 4ch			
3rd to T10			-70	"
2nd to T9			-60	"
Xmod			-61	dB
Noise Figure	with 0 dB jumpers	6	6	
Min RF Input Level for 49dB CNR	Single Amplifier 2 amps in cascade	6 10		dBmV
Group Delay	ch 2 41-42 MHz 5-6 MHz	< 35	< 35 < 40	nsec " "
Hum Modulation		-80		dBc
RFI Isolation		-100		"
Surge Withstand	In/Out	IEEE C62.41 CatA3 (6kV, 200A)		
Powering		Mains 90-240		VAC
Power Consumption		15		Watts
Temperature		-30 to +55		°C
Enclosure		IP54 Category, Diecast Aluminum		
Weight		2.8 (6.2)		kgs (lb)
Dimensions		21 X 17 X 9 (7-5/8 X 5- 3/8 X 3)		cms (in)

Notes on Specifications:

1. Digital output levels are lower
2. Specifications are typical
3. All specifications are subject to change without notice