

Ground Mount Enclosures

POWER SUPPLY/UPS WITH TOP-TERMINAL BATTERIES



Ground mount outdoor rated enclosures for cable telecommunications and broadband applications. Accommodates one power supply/UPS with and 0 to 8 Group 27 or 31 sized top terminal batteries. Includes: ground skirt/pedestal, cable network power interface with bypass switch, enclosure status LED, all cables to support/connect specified number of batteries. Optional: exhaust fan, utility meter base, breaker box, and AC or DC generator interface.



CSEG1-120



CTEG6-120

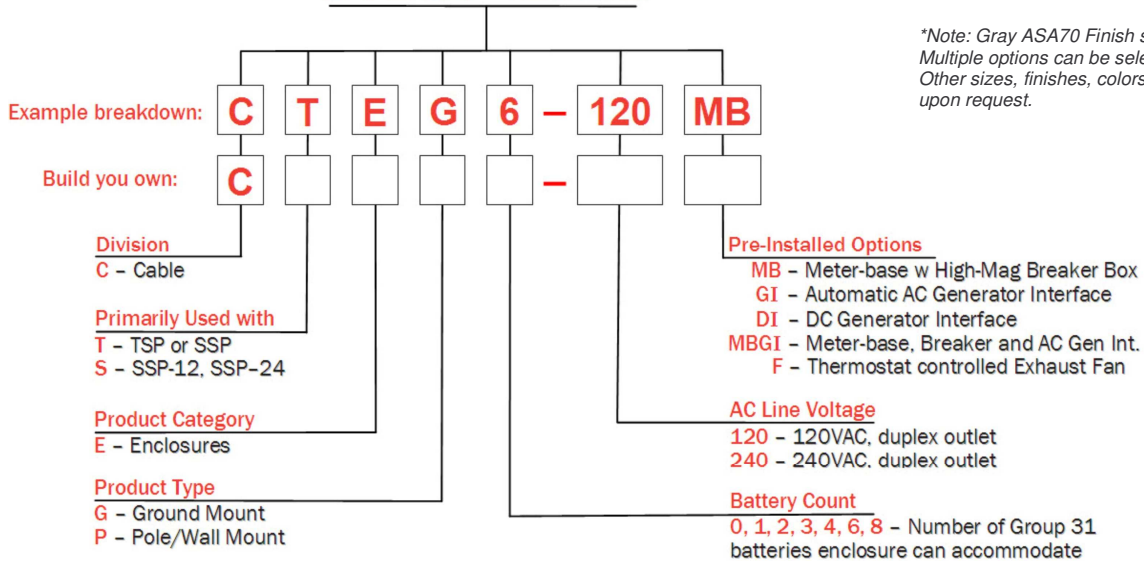


CTEG6-120MB

FEATURES

- Universal NEMA 3R enclosure – accommodates many brands of power supplies
- Available in 0, 1, 2, 3, 4, 6 and 8 battery count versions
- Standard 120 or 240VAC duplex outlet (dependent on model)
- Designed for use with top-terminal batteries
- Built-in high current alt/bypass switch with cable network power interface
- Includes all power battery cables
- Secure rear cable raceway
- Status LED indicator
- Battery slide tray with locking latches
- Lightweight corrosion resistant aluminum enclosure
- UV protected powder-coat finish
- Optional:
 - Meter-base and high-mag breaker box
 - Integrated automatic AC generator or DC generator interface
 - Exhaust fan

Example Kit Model Number:
CTEG6-120MB



*Note: Gray ASA70 Finish standard. Multiple options can be selected. Other sizes, finishes, colors available upon request.

Basic Characteristics***

Myers Model #	Dims HxWxD Inches (cm)	Weight Lbs (kg)	Use with Pre-Cast Pad	Used with:	Application
CSEG1 Series**	23.6 x 24.5 x 15.5 (60 x 62.2 x 40)	31 (14)	CTEG-PAD-36-MTL	TSP SSP-12	TSP - TM only or TM/EM with separate battery location SSP-12 with 1 battery
CSEG2 Series	35.5 x 18.5 x 15.5 (90 x 47 x 40)	42 (19)	CTEG-PAD-36-MTL	SSP-12 SSP-24	SSP-12 with 1 or 2 batteries SSP-12 with 1 two battery string
CTEG0 Series**	35.5 x 24.5 x 15.5 (90 x 62.2 x 40)	46 (20.8)	CTEG-PAD-36-MTL	TSP	TSP with no batteries TSP with 1 three battery string, batteries slid out for service
CTEG3 Series	35.5 x 25 x 15.5 (90 x 63 x 40)	54 (25)	CTEG-PAD-36-MTL	TSP SSP-12 SSP-24 SSP-36	TSP with 1 three battery string Two SSP-12's each with 1 battery (one set per shelf) SSP-24 with 1 two battery string SSP-36 with 1 three battery string
CTEG4 Series	35.5 x 28.8 x 17.5 (90 x 73.2 x 44.5)	70 (32)	CTEG-PAD-48-MTL	TSP SSP-12 SSP-24 SSP-36	TSP with 1 four battery string Two SSP-12's each with 2 batteries (one set per shelf) SSP-24 with up to 2 two battery strings SSP-36 with 1 three battery string
CTEG6 Series	46.5 x 24.5 x 15.5 (99 x 61.6 x 39.4)	78 (35)	CTEG-PAD-36-MTL	TSP SSP	TSP with 2 three battery strings SSP - too many to list
CTEG8 Series	46.5 x 28.8 x 17.5 (118 x 73 x 44.5)	85 (39)	CTEG-PAD-48-MTL	TSP SSP	TSP with 2 four battery strings SSP - too many to list

** No battery drawer in the CSEG1 and CTEG0 ***Note: Specifications subject to change.

Options

Option Description	Ordering Information
Thermostatically Controlled Enclosure Fan Kit, Provides forced air cooling	To order preinstalled, add suffix "F" to model number. ex. CTEG3-120F Customer installed fan kit is model number: CTE-FAN-KIT
External Meter-base and Breaker Box, Single Phase, 20Amp, High-Mag	Preinstalled, add suffix "MB" to model number. ex. CTEG3-120MB
AC Generator Interface, Auto switches AC input to Generator when Generator is on.	Preinstalled, add suffix "GI" to model number: ex. CTEG6-120GI
DC Generator Interface, Plug DC generator into lockable external box	To order preinstalled, add suffix "DI" to model number: ex. CTEG6-120DI For customer installation, order box CTE-GENCONN and cable CTPSPBCK-70
Replacement Battery Cables	Order cable kit: CTPSPBCKx-B (x = number of batteries in enclosure, ex. CTPSPBCK3-B is for the three battery enclosure CTEG3-120)
Replacement Status LED	Order: For red LED's, CT-RED-LED, green LED's, CT-GREEN-LED (Myers supplies use a 2Volt LED. Other manufacturers may use a 12Volt LED.)
Add-on Security Bar	Customer installed only. Order kit: CTEP-SEC-BAR3 for 1, 3, 6 battery enclosures, CTEP-SEC-BAR4 for 4, 8 battery enclosures (also designed to fit on other manufactures enclosures with similar battery counts) Locks are also available
Output Conversion Cable	Order conversion cable CT-0W5514A to use other brand equipment in a Myers enclosure
AC Outlet Options for installations outside the US	All international AC outlet styles can be accommodated. Please consult your sales representative for more information.

