

**COMMERCIAL INTEGRATED SATELLITE RECEIVER  
HIGH DENSITY SD TRANSCODER**



## PRODUCT OVERVIEW

The DSR-7401 Transcoder IRD from ARRIS provides a high-quality cost effective solution for service continuity as Programmers sunset their satellite SD service distribution. Utilizing the latest modulation and video compression technologies, the DSR-7401 down-converts and transcodes up to 12 input HD video sources simultaneously across four satellite transponders, from a single Programmer, while also passing the decrypted input services. Customizable multiplex creation with Statmux output provides highly flexible transport stream grooming options and ensures delivery of the highest quality video.

Support for HEVC and MPEG-4 video compression inputs combined with DVB-S2, DVB-S2x and 8PSK TurboCode demodulation enables full compatibility with the latest satellite distribution networks. The flexibility offered by 4 active RF tuners with retune capability simplifies satellite network design and permits trouble-free network modifications.

The high density transcoding enables the DSR-7401 to replace up to 12 single channel satellite receivers. The efficient use of rack space and low power consumption make this transcoder IRD an ideal solution for today's modern digital headends.

## KEY FEATURES

- DSR-7401 provides up to 12 transcoded SD output services from HD inputs
- Simultaneously receives transport streams from up to 4 satellite transponders (single programmer)
- Dual Gig-E and ASI transport inputs and outputs
- HEVC and MPEG-4 HD inputs
- MPEG-2 and MPEG-4 SD outputs
- Statistical multiplexed output services for enhanced video quality
- Front panel confidence monitor
- Advanced Modulation support with DVB-S2 8PSK, DVB-S2x 8PSK and 16APSK and 8PSK Turbocodes
- 4 RF inputs (L-Band)
- Configurable DCII subtitle overlay on transcoded video output
- Decryption and pass-through of input video services
- DigiCipher® II conditional access control
- Gig-E port web browser monitoring and control
- SNMP monitoring
- One RU design for rack space savings
- Low power consumption provides operational cost savings

## SPECIFICATIONS

### L-Band Input

Input Frequency	950 - 2150 MHz
Input Impedance	75 Ω
Input Connectors	Four (4) F-type
LNB Power Out	16V DC min/450 mA
Port-to-Port Isolation	40 db (minimum)

### Digital Processing

Modulation Modes	DVB-S2, DVB-S2x and 8PSK Turbocodes
------------------	-------------------------------------

### Symbol Rates

DVB-S2/8PSK	3 to 35 Msps
DVB-S2x/16APSK	3 to 35 Msps
8PSK Turbocodes	1 to 30 Msps

### FEC Rates

DVB-S2/8PSK	3/5, 2/3, 3/4, 5/6, 8/9, 9/10
DVB-S2x/16APSK	26/45, 3/5, 28/45, 23/36, 25/36, 13/18, 7/9, 77/90
8PSK Turbocodes	2/3 (1.92), 3/4 (2.05), 3/4 (2.11), 3/4 (2.19), 5/6 (2.30), 8/9 (2.40)

### Transcoder Inputs

Compression Formats	HEVC and MPEG-4
HD Resolution	1080i60, 720p60 and 1080p23.98

### Transcoder Outputs

Compression Formats	MPEG-4 and MPEG-2
SD Resolution	528x480i, 544x480i, 704x480i and 720x480i
Aspect Ratio Conversion (HD down-conversion)	4x3 center-cut, 4x3 letterbox, 14:9 and 16:9 (Anamorphic)

## SPECIFICATIONS (CONTINUED)

### Composite Video Output (Monitoring Only)

Frequency Response (NTSC)	±0.9 dB, 1kHz–4.2 MHz
Output Impedance	75 Ω
Output Level	1.0 V p-p ± 10%
Connectors	Two BNC

### Audio Passthrough (2 streams per service)

Compression Formats	Dolby AC-3 and MPEG-1 Audio Layer II
---------------------	--------------------------------------

### Audio Output (Monitoring Only)

Compression Formats	Dolby AC-3 and MPEG-1 Audio Layer II
Output	Two stereo pair or four mono
Frequency Response	1.0 dB p-p maximum, 20 Hz to 20 kHz
Audio Impedance	600 Ω load
Peak Audio Level	±20.0 dBu ± 1.0 dB
Connectors	Quick disconnect spring cage plug connector

### Ethernet Management Port

Connector (quantity 1)	RJ-45
Format	10/100BaseT

### GigE Input/Output Interface

Connector (quantity 4)	RJ-45 (two out, two in) GigE input not currently supported
Format	10/100/1000BaseT

### ASI Input/Output Interface

Format	Asynchronous Serial Interface
Transmission	Byte or packet mode
Standard	CENELEC EN 50083-9
Connectors	BNC (two out, one in)

### Contact Closures/Cue Tones

Number of Contact Closures	One (alarm)
Contact Closure Type	Form C
Number of Cue Tone Outputs	12

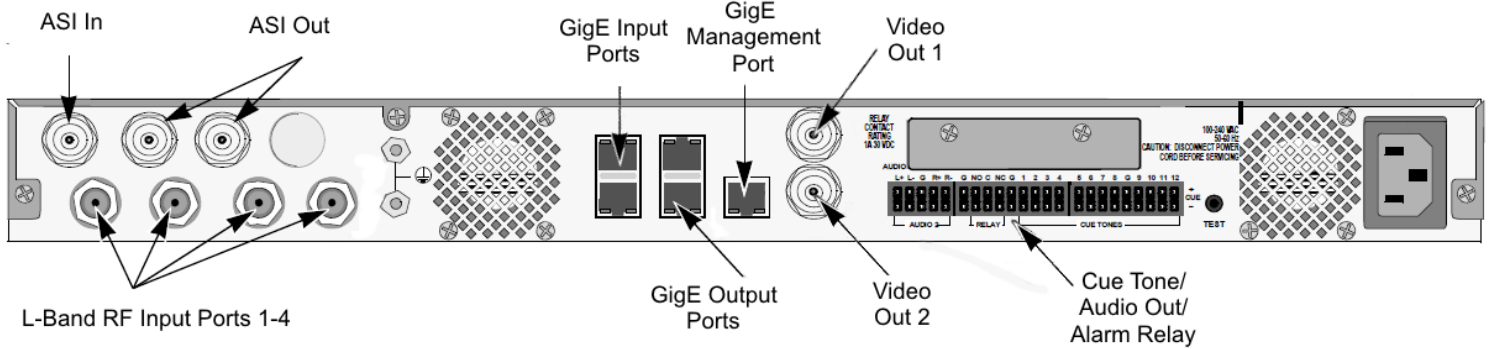
### Physical

Width	19.0 in (48.3cm)
Depth	24.9 in (63 cm)
Height	1.75 in (4.4cm)
Weight	17.6 lb (8 kg)
Power Input	100-240 VAC, 50-60Hz, 100W max
Operating Temperature	0 °C to 50 °C
Humidity	95% relative maximum
Display	2.2" color LCD

### Other

Limited Warranty	One year
Compliance	UL listed/approved, FCC part 15

DSR-7401 REAR PANEL



MODEL AND ORDERING INFORMATION

Model Name	Part Number	Description
DSR-7401	596912-001-00	12 channel HD to SD Transcoder

CUSTOMER CARE

Contact Customer Care for product information and sales:

- United States: 866-36-ARRIS
- International: +1-678-473-5656

DSR-7401 365-095-31661

(rev x.5 01-2019)

**Note:** Specifications are subject to change without notice. **Copyright Statement:** © 2019 ARRIS Enterprises, LLC. All rights reserved. No part of this publication may be reproduced in any form or by any means or used to make any derivative work (such as translation, transformation, or adaptation) without written permission from ARRIS Enterprises, LLC ("ARRIS"). ARRIS reserves the right to revise this publication and to make changes in content from time to time without obligation on the part of ARRIS to provide notification of such revision or change. ARRIS and the ARRIS logo are registered trademarks of ARRIS Enterprises, LLC. All rights reserved. Other trademarks and trade names may be used in this document to refer to either the entities claiming the marks or the names of their products. ARRIS disclaims proprietary interest in the marks and names of others.

[www.arris.com](http://www.arris.com)