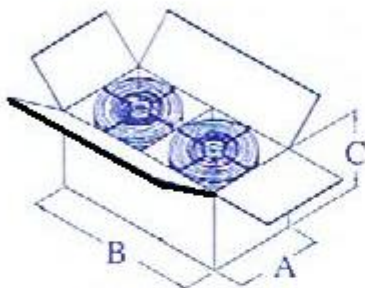
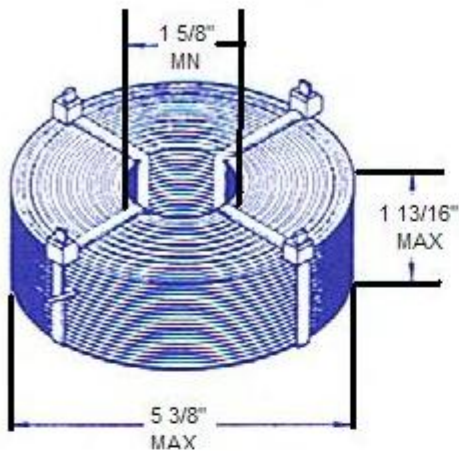




advanced media technologies®

**LASHING WIRE**



PACKAGE	A	B	C
045-1200/ft	5-1/2	11	5-1/2
038-1600/ft	5-1/2	11	1-1/2

## Specifications

Average Tensile Strength	Type	Diameter	Coil Size lbs ft	Average Break Strength	Coils Per Box
102.000 PSI	302 S.S.	.038"	6.29 1,600	115 LBS	6
79.000 PSI	430 S.S.	.045"	6.62 1,200	125 LBS	6
104.000 PSI	302 S.S.	.045"	6.62 1,200	165 LBS	6
104.000 PSI	316 S.S.	.045"	6.62 1,200	165 LBS	6

## Chemistry

Maximum Range

	C	MN	P	S	SI	CR	NI	MO
Type 430 S.S.	0.12	1.00	0.04	0.03	1.00	16.00/18.00		
Type 302 S.S.	0.08	2.00	0.04	0.03	1.00	18.00/20.00	8.00/10.50	
Type 316 S.S.	0.08	2.00	0.04	0.03	1.00	16.00/18.00	10.00/14.00	2.00/3.00

**MANUFACTURED IN THE USA • LIFETIME GUARANTEE**

www.amt.com



Advanced Media Technologies, Inc. · 3150 SW 15th Street Deerfield Beach, FL 33442

(888) 293-5856 · (954) 427-5711 · Fax (954) 427-9688