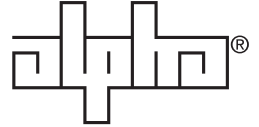


AlphaCell™ OPzS

STATIONARY FLOODED TUBULAR LEAD ACID BATTERY



Single Cell



Monoblock

- Power range:
 - 12V from 50 to 150Ah
 - 6V from 200 to 300Ah
 - 2V from 100 to 3000Ah
- Ideal for deep cycling applications for backup power, emergency lighting, control monitoring systems, security systems and telecommunications applications
- 20 year design life
- 5 year — 100% full warranty

The AlphaCell OPzS Stationary Lead Acid Batteries are designed to provide backup power for deep cycling applications in telecommunication, utility, communication and transportation industries. OPzS batteries have a long life expectancy, low water consumption and a low self discharge rate making them ideal for photovoltaic applications. A unique tubular positive plate design prevents potential escape of active materials during operation and the containers are extremely resistant to chemical influences and mechanical damage. Manufactured in accordance with DIN 40736 and ISO standards.

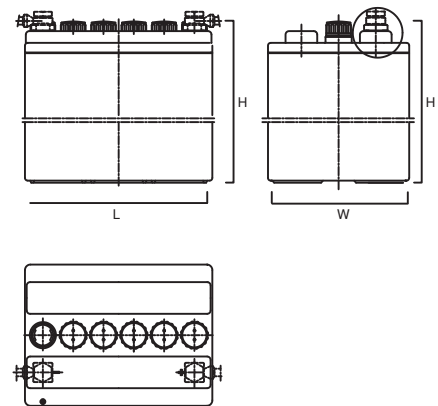
AlphaCell OPzS

Feature Summary

Model:	AlphaCell OPzS 2V	AlphaCell OPzS 6V	AlphaCell OPzS 12V
Standard Warranty:	5 yr full plus 15 yr prorated	5 yr full plus 15 yr prorated	5 yr full plus 15 yr prorated
Service Life:	20 yr	20 yr	20 yr
Battery Type:	Flooded Lead Acid	Flooded Lead Acid	Flooded Lead Acid
Range of Capacity:	100 to 3000Ah	200 to 300Ah	50 to 150Ah
Time of Discharge:	1 min to 8 hrs	10 min to 8 hrs	10 min to 8 hrs
Heat Resistant:	Moderate	Moderate	Moderate
Operating Temperature:	-20°C/-4°F to 55°C/131°F	-20°C/-4°F to 55°C/131°F	-20°C/-4°F to 55°C/131°F
Terminal Type:	Threaded Copper Insert	Threaded Copper Insert	Threaded Copper Insert

Mechanical Specifications

Type	Length (in/mm)	Width (in/mm)	Height (in/mm)	Weight w/acid (lbs/kg)
1 OPzS 12-50	10.5/272	8.0/205	15.0/388	80/37
2 OPzS 12-100	10.5/272	8.0/205	15.0/388	117/53
3 OPzS 12-150	15/380	8.0/205	15.0/388	167/76
4 OPzS 6-200	10.5/272	8.0/205	15.0/388	108/48
5 OPzS 6-250	15/380	8.0/205	15.0/388	143/65
6 OPzS 6-300	15/380	8.0/205	15.0/388	160/73
2 OPzS 2-100	4.0/103	8.0/206	14.5/375	23/10
3 OPzS 2-150	4.0/103	8.0/206	14.5/375	35/16
4 OPzS 2-200	4.0/103	8.0/206	14.5/375	40/18
5 OPzS 2-250	4.5/124	8.0/206	14.5/375	48/22
6 OPzS 2-300	5.5/145	8.0/206	14.5/375	57/26
5 OPzS 2-350	4.5/124	8.0/206	19.0/491	64/29
6 OPzS 2-420	5.5/145	8.0/206	19.0/491	75/34
7 OPzS 2-490	6.5/166	8.0/206	19.0/491	86/39
6 OPzS 2-600	5.5/145	8.0/206	26.0/666	110/50
8 OPzS 2-800	7.5/191	8.2/210	26.0/666	143/65
10 OPzS 2-1000	9.0/233	8.2/210	26.0/666	176/80
12 OPzS 2-1200	11.0/275	8.2/210	26.0/666	204/93
12 OPzS 2-1500	11.0/275	8.2/210	32.0/821	262/119
16 OPzS 2-2000	15.5/397	8.3/212	31.0/797	352/160
20 OPzS 2-2500	19.0/487	8.3/212	31.0/797	440/200
24 OPzS 2-3000	22.5/576	8.3/212	31.0/797	529/240



Final Voltage is 1.75V/Cell

Cell Type	Minutes									
	1 min	10 min	30 min	1 h	2h	3 h	4 h	5 h	6h	8 h
1 OPzS 12-50	—	57.9	39.2	26.9	16.6	12.7	9.9	8.2	7.2	5.9
2 OPzS 12-100	—	115.9	78.4	53.8	33.4	25.2	19.7	16.4	14.4	11.9
3 OPzS 12-150	—	173.8	117.5	80.8	50.0	37.9	29.6	24.5	21.4	17.7
4 OPzS 6-200	—	224.6	153.3	105.7	68.1	49.8	40.2	34.1	29.3	23.8
5 OPzS 6-250	—	280.9	191.6	131.6	85.1	62.2	50.2	42.6	36.6	29.8
6 OPzS 6-300	—	337.0	230.0	158.5	102.7	74.6	60.3	51.1	44.0	35.8

Cell Type	140	100	77	54	36	27	22	19	15	13
2 OPzS 2-100	140	100	77	54	36	27	22	19	15	13
3 OPzS 2-150	210	143	110	78	51	39	32	27	23	19
4 OPzS 2-200	280	196	149	104	69	53	43	37	31	25
5 OPzS 2-250	350	243	185	130	85	66	53	45	39	31
6 OPzS 2-300	420	289	221	155	103	78	64	54	46	38
5 OPzS 2-350	190	297	244	183	124	93	76	66	56	46
6 OPzS 2-420	588	353	291	218	148	112	92	79	67	55
7 OPzS 2-490	686	410	338	253	172	131	106	92	79	64
6 OPzS 2-600	840	449	381	300	206	159	130	110	93	77
8 OPzS 2-800	1120	611	514	406	277	213	174	147	124	103
10 OPzS 2-1000	1400	757	639	504	345	265	217	184	155	128
12 OPzS 2-1200	1680	900	763	602	413	318	260	220	186	154
12 OPzS 2-1500	2100	949	863	701	511	399	329	284	241	198
16 OPzS 2-2000	2800	1288	1168	943	684	530	438	378	321	264
20 OPzS 2-2500	3500	1608	1458	1178	854	663	547	471	401	330
24 OPzS 2-3000	4200	1911	1733	1409	1018	794	656	565	481	398

Alpha Technologies reserves the right to make changes to the products and information contained in this document without notice.
Copyright © 2008 Alpha Technologies. All Rights Reserved. Alpha® is a registered trademark of Alpha Technologies.