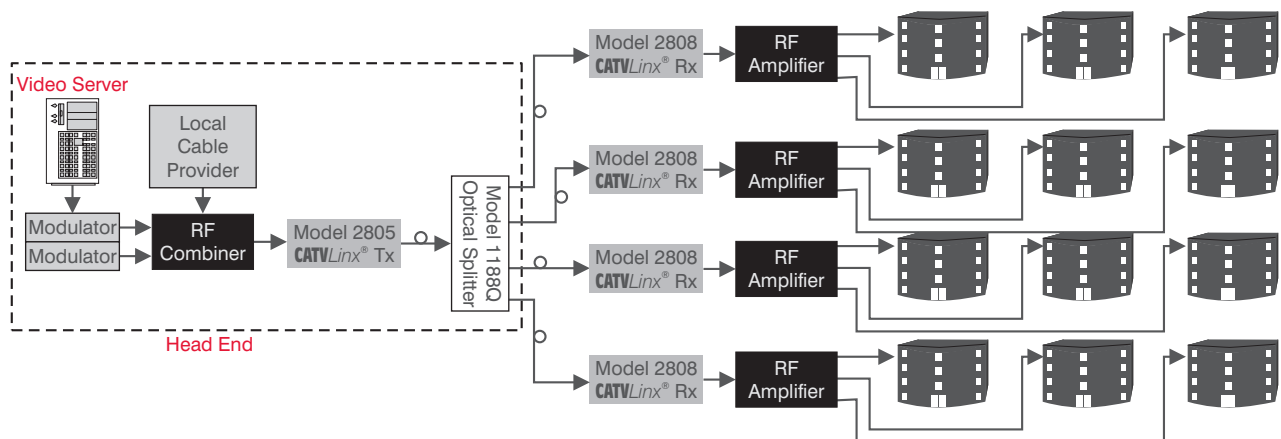


- Transmits up to 110 channels over one single-mode fiber.
- VSB/AM transmission ensures compatibility with standard CATV modulators, processors, etc.
- The transmitter includes status indicator LEDs that provide easy assessment of the link's performance.
- Excellent for structured in-building premise wiring video distribution.
- High capacity backbone transport for multiple data services (RS-232, T1/E1, Ethernet, etc.) via CATV RF modem.
- CATV HFC distribution network, distance learning, CCTV video surveillance, campus video distribution, teleconferencing, and more.



Model 2805 Transmitter

The Force CATV^{Lin}x® Model 2805 110 Channel CATV Private Network Solution (PNS) transmitter is part of a robust system for transferring up to 110 channels of VSB/AM modulated signals over a single-mode optical fiber. The system provides 40-870 MHz of usable bandwidth for video signals stacked at 6 MHz intervals. A low loss single-mode optical fiber allows full channel loading to beyond 20 km while maintaining a good carrier-to-noise ratio. The Model 2805 may be used with the Model 2807 mini-node receiver for use in return path and multiple splitter applications or with the Model 2808 receiver for basic 110 channel CATV transmission. In all cases, the link provides excellent performance for many demanding applications such as broadband LANs, distance learning, and multiple data services.



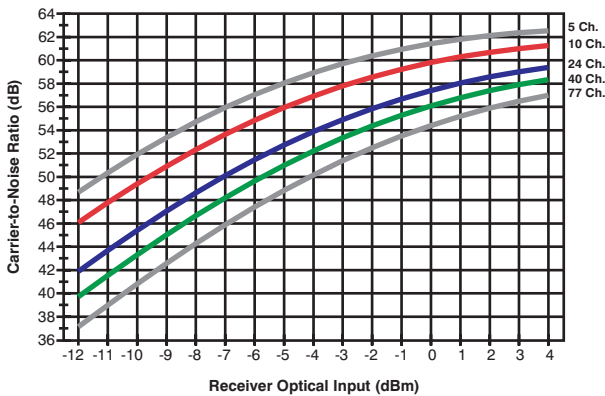
Specifications and Ordering Information

Optical Characteristics*

	Min	Typ	Max	Units
Channel Loading			110	
Bandwidth (77 Ch)	40		870	MHz
Operating Wavelength	1290	1310	1330	nm
Required Fiber Bandwidth	2,000			MHz
Input/Output Impedance		75		Ohms
Side Mode Suppression Ratio	30			dB
Backreflection Tolerance			-50	dB
CSO		-60		dB
CTB		-65		dB

Electrical, Environmental, and Physical Characteristics*

	Min	Typ	Max	Units
Power Supply Voltage	120		240	V _{AC}
Power Supply Frequency	50		60	Hz
Power Dissipation		20		Watts
Fuse (Slow Blow)		1.25		A
Operating Temp. Range	0		+45	°C
Storage Temp. Range	-20		+70	°C
Humidity	0		90	%
Weight		5.5		lbs.
		2.5		kg
Dimensions	19 x 1.72 x 12.1			in.
	483 x 43.7 x 307			mm



**Model 2805 Private Network Solution
(PNS) Transmitter
Front and Rear Views**

110 Channel SM 1310 nm Transmitter P/N

Tx Options	+8 dBm Opt. Output	+10 dBm Opt. Output	+12 dBm Opt. Output	+13 dBm Opt. Output
Tx, 1RU, SM, 1310 nm	2805TD-SCSP/08	2805TE-SCSP/10	2805Tf-SCSP/12	2805TG-SCSP/13

*System performance specifications indicated for use with 9/125 μm single-mode fiber.

FC/APC optical connectors and other optical output powers are available for the transmitter. Please see IOM2805 for complete transmitter part numbers. The PNS transmitter is designed to operate with the Model 2807 and/or Model 2808 CATV receivers. See IOM2807 and IOM2808 for complete details.