

MAXNET® II

Platinum Series

RF & Optical Signal Management

Patented
U.S.# 7,142,414



Passive Products

3RU Active Chassis
(front view)

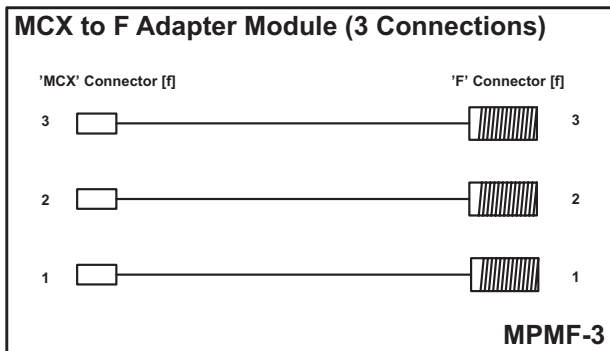
MCX to F Transition Module:

- ▶ High performance MCX & F connector

MCX to F Transition Module Specifications

IL < 0.2 dB, 5-1000 MHz
RL > 30 dB, 5-1000 MHz

Functional Schematic



Ordering Information

Part Number	Description
MPMF-3	Triple MCX-F Transition Module