

# MAXNET®

RF & L-Band Signal Management

Patented  
U.S.# 6,842,348



## Active Products

### Remote Powered Active Chassis:

#### Remote Powered Active Chassis Specifications

ELECTRICAL SPECIFICATIONS	REMOTE POWER CHASSIS MN5BAR
<b>INPUT</b>	
INPUT VOLTAGE	24.0 ± 0.5 VDC
<b>OUTPUT</b>	
OUTPUT VOLTAGE	23.5 ± 0.5 VDC
DC OUTPUT CURRENT	9 Amps (max.)
<b>OTHER</b>	
OPERATING TEMPERATURE	-40°C to +60°C
24V POWER INDICATOR	Rear LED
24V FAILURE NOTIFICATION	Form 'A' Relay
TERMINAL BLOCK WIRING	# 14 AWG

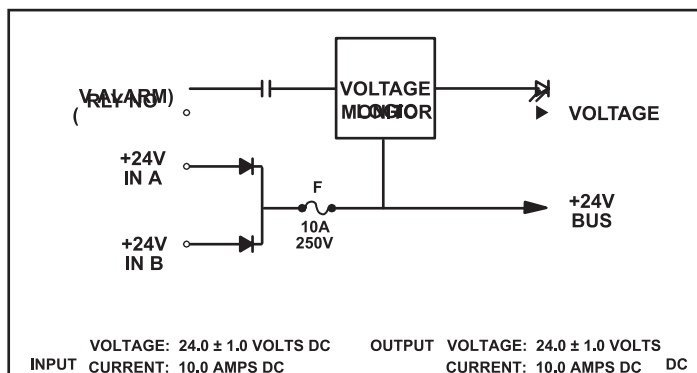
MN5BAR  
Remote Powered  
Active Chassis  
(rear close-up view)



#### Rear Panel Terminal Block Assignment Specifications

TB #	REMOTE POWER CHASSIS
1	P24V IN A
2	COM A
3	P24V IN B
4	COM B
5	RLY NO
6	RLY COM

#### Functional Schematic



#### Ordering Information

Part Number	Description
MN1.5	1.5RU 19" Horizontal Chassis and Power Jumper
MN5BA	5RU 19" Vertical POWER/ACTIVE Chassis, Front Mount with 2 Cable Bars
MN5BAR	5RU 19" Vertical Remote Powered Active Chassis with Cable Bars
MN5EA	5RU 19" Vertical Active Chassis with Cable Management Ears
MN5TA	5RU 19" Vertical Active Chassis, Front Mount with Cable Management Tray
MNRB	Horizontal Active Rails for Retrofit of MAXNET Passive Chassis
MN5TAR	5 RU 19" Vertical Remote Powered Active Chassis w/ Tray
MNEAR	Cable Management Ears for MAXNET Chassis