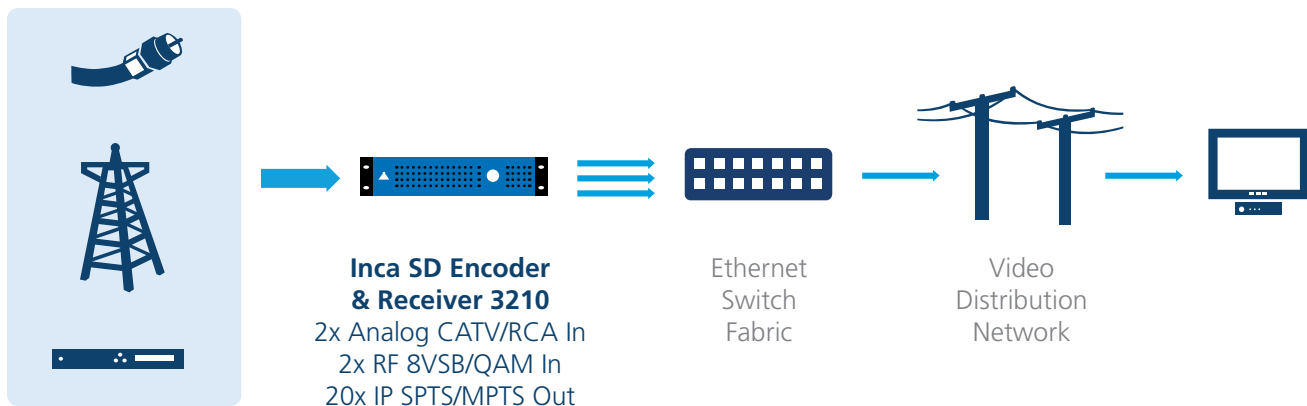


How do you easily stream legacy analog cable TV, baseband video and off-air broadcast channels to your IP video network?



- Dual Analog Encoders
- CATV & RCA Inputs
- Dual 8VSB/QAM Receivers
- Demux and Groom
- Video Thumbnails
- Stream Analysis

The Inca SD Encoder and Receiver 3210 can simultaneously receive two analog CATV channels via the included cable tuners or encode two channels of baseband video from RCA/S-Video inputs while also receiving and processing two 8VSB digital broadcast or ClearQAM carriers. All signals are available as individual IP single program transport streams (SPTS) suitable for use in your IP video network.



Inca SD Encoder & Receiver 3210 Applications

- Enable dual channel MPEG-2 SD streaming of legacy analog CATV channels using the built-in cable tuner
- Capture baseband video signals from satellite receivers, set top boxes, community channels or character generators and conveniently stream them to your IP video network
- Easily receive two local off-air digital broadcast or ClearQAM carriers, including all primary HD and secondary SD sub-channels, demultiplex and output them as individual IP SPTS streams for use in your IP video network
- Enjoy powerful VidiOSTM troubleshooting tools with inbound and outbound video thumbnails, stream capture and download, extensive statistical analysis and stream logging
- Ensure seamless compatibility with existing systems and save time with remapping and filtering for programs and PIDs
- Deploy in lab and training networks to affordably generate real world HD and SD video streams when testing products or teaching IP multicast and video streaming - an IPTV system in a box



Affordable. Reliable. Easy to Use.

HEADEND

Inca 3210
SD ENCODER & RECEIVER



Technical Specifications

Video/Audio Input

- 2x Analog Inputs or Analog NTSC CATV Tuners
- S-Video/Composite NTSC/PAL + RCA L/R Audio
- 2x 8VSB ATSC or DVB-C Annex B carriers¹
- 2x RF 75 ohm F-type Connectors
- HD & SD, MPEG-2 & MPEG-4 AVC Payload

Video/Audio Output

- 20x SPTS/MPTS MPEG-2 Transport Streams²
- Multicast/Unicast UDP IP

VidiOS™ Transport Stream Processing (Digital Sources)

- Demultiplex and output up to 20x SPTS or MPTS²
- PID Filter/Remap, Jitter Correction, Strip Null Padding

Management

- Powerful VidiOS™ Web Based User Interface
- IPMI, SNMP Trap Forwarding

Network Interfaces

- Management/IPMI³ - 1000 Base-T
- Video-1000 Base-T

Encoder (Analog Sources)

- 2x SD Video
- 2x Audio
- Vertical Resolutions: 480, 576
- Horizontal Resolutions: 720, 704, 528, 480
- Aspect Ratios: 16:9, 4:3, 2.21:1, 1:1
- Frame Rates: 29.97, 25 fps

Power

- Input Power: 100 ~ 240 VAC @ 50 ~ 60 Hz
- Power: < 75 W typical

Physical

- Mounting Dimensions: 19", 2 or 4 Post Rack, 1 RU⁴
- Dimensions: 484 x 44 x 300 mm
- Weight: 19" x 1.75" x 11.8"
- Weight: 3.1 kg / 6.8 lb
- Operating Temperature: 0 ~ 55 C

Regulatory Compliance

- EMC Standards: FCC Part 15 Class B, CAN ICES-3B/NMB-3B
- Safety Standards: CSA/UL 60950-1:2007

¹ Thumbnail previews available for unencrypted content
² Pass through of full source MPTS or subset of source MPTS
³ Management and IPMI share a single physical port, with separate IP addresses
⁴ 1 RU Rack space recommended above unit for cooling airflow



Analog Cable TV Capture



Digital Receive, Demux & Monitoring



Event Log

Visit the product page for full size screen captures and videos

© 2014 Inca Networks Incorporated. Inca Networks, the product names and Intelligent Video Delivery are trademarks of Inca Networks, Inc. All right reserved. All other brand or product names are trademarks or registered trademarks of their respective owners. Product specifications and images are subject to change without notice. Rev C (2014/04/30).

