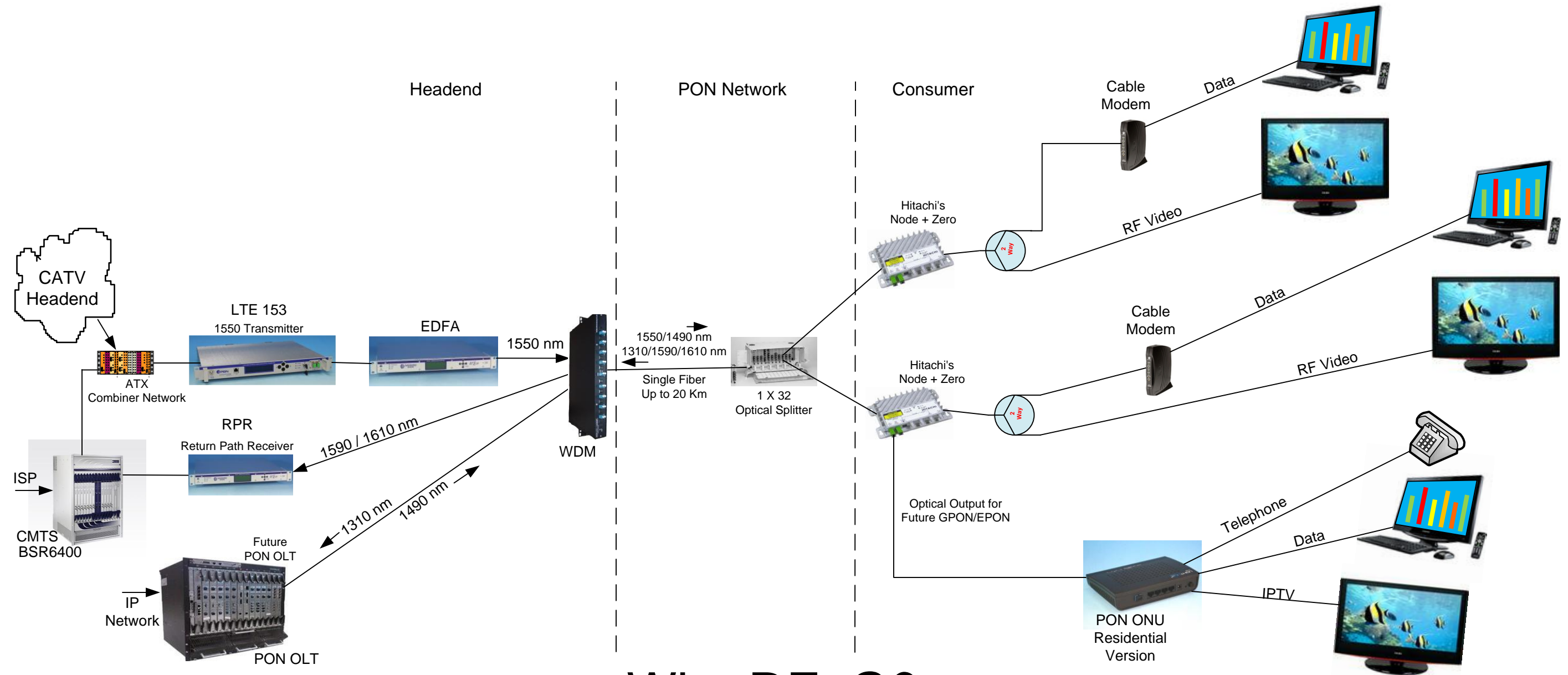


# The RFoG (RF over Glass) Solution By AMT



## Why RFoG?

1. RFoG is the most cost effective option to migrate a DOCSIS network to PON.
2. Minimizes Capital expenditures by utilizing existing headend infrastructures & CPE.
3. RFoG architecture allows future GPON/EPON deployment while preserving DOCSIS services.

## **Acronyms**

<b>CATV:</b>	Community Access Television or Cable Television or Community Antenna Television
<b>ISP:</b>	Internet Service Provider
<b>CMTS:</b>	Cable Modem Termination System
<b>PON:</b>	OLT Passive Optical Network Optical Line Termination
<b>EDFA:</b>	Erbium Doped Fiber Amplifier
<b>WDM:</b>	Wavelength Division Multiplexing
<b>GPON:</b>	Gigabit Passive Optical Network
<b>EPON:</b>	Ethernet Passive Optical Network
<b>PON ONU:</b>	Passive Optical network Optical Network Unit
<b>DOCSIS:</b>	Data Over Cable System Interface Specification
<b>IPTV:</b>	Internet Protocol Television
<b>CPE:</b>	Customer Premise Equipment